

STROMBERG

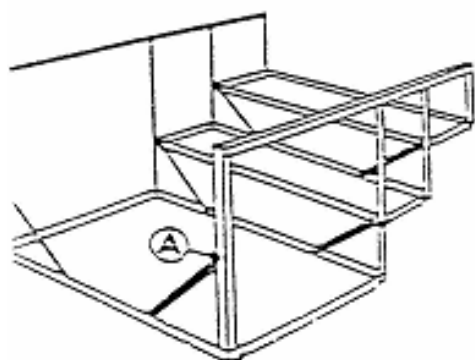
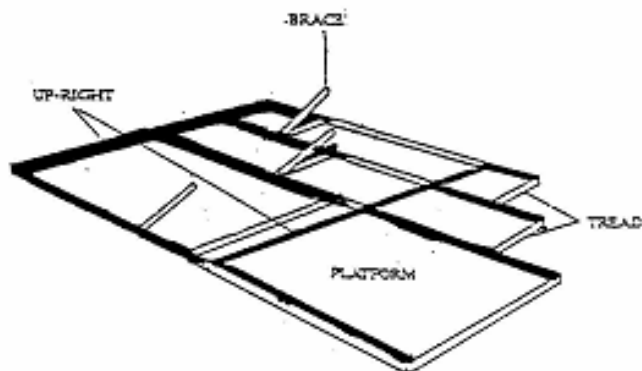


CARLSON

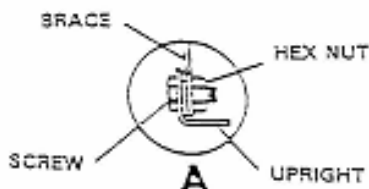
ECONO PORCH

Carton Contents: (1) Step Assembly, (1) Handrail (5110-HR),
(1) Hardware Bag (4020) Containing: (2) 1/4 x 1-1/2 Machine
Screws (FST-1635), (8) 1/4 x 1/2 Machine Screws (FST-1612),
(10) 1/4 Hex Nuts (FST-1681) and (1) Instruction sheet (INS-2593)

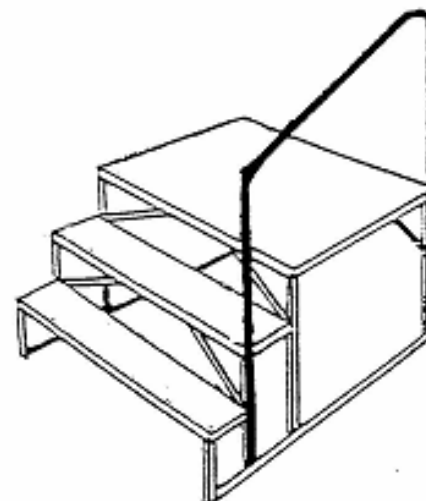
1. Remove step assembly from carton and lay it flat on the ground.



2. Fold legs open and secure braces to treads with 1/4 x 1/2 machine screw and 1/4 hex nut as shown in figure A. Repeat this operation for all braces.



3. Turn step right side up and attach the handrail to the right or left side of the step with (2) 1/4 x 1-1/2 machine screws and (2) 1/4 hex nuts,



WE RECOMMEND CHECKING THE BOLTS AND NUTS OFTEN FOR THEIR INTEGRITY.

INS-2593
REV A 4-8-96

 **STROMBERG CARLSON
PRODUCTS, INC.**
2323 TRAVERSEFIELD DR., PO BOX 266
TRAVERSE CITY MI 49685-0266
(231)947-8600 FAX (231)947-7006